

## specifications

The Amico Universal Remote Alarm Buzzer will provide the user with the ability to receive an audible alarm, and a visual alarm from a remote dry contact signal. If an alarm condition occurs, the "RED" alarm LED shall flash and the audible alarm will sound. Pushing the "ALARM SILENCE" button will cancel the audible alarm, but the unit will remain in the visual alarm condition until the problem is rectified.

The M2-REM-AL-NEMA includes a built in power supply that accepts 110 V AC to 240 V AC (50 to 60 Hz) as the input voltage. The output voltage is 12V DC.

The M2-REM-AL-N2 includes two remote buzzers and a power supply that accepts 110 V AC to 240V AC (50 to 60 Hz) as the input voltage and an output voltage of 12V DC.

The M2-REM-AL-WALL and M2-REM-AL-SURF if used with an Amico Alert-2 Manifold or Alarm does not require a power supply if the distance between the Universal Remote Buzzer and the Manifold or Alarm is less than 60 ft. If the distance is greater than 60 ft, an external power supply (A2P-POWER-CONV) or a 12 volt DC voltage is required.

## features

- The Remote Alarm Buzzer can be used in the following separate functions:
- A device sending a dry contact signal.
- An Amico Alert-2 area or master alarm.
- An Alert-2 manifold bank switch-over occurs.



**M2-REM-AL-WALL**



**M2-REM-AL-SURF**



**M2-REM-AL-NEMA**



**M2-REM-AL-N2**

project

---

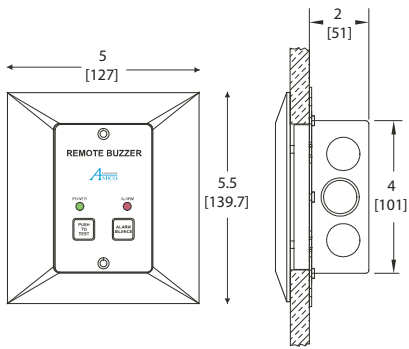


---

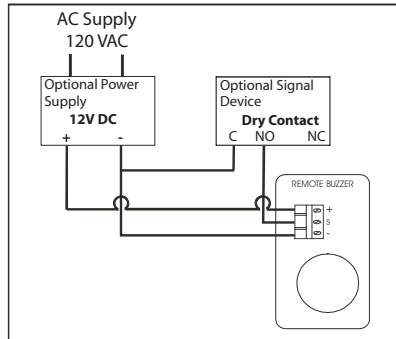


---

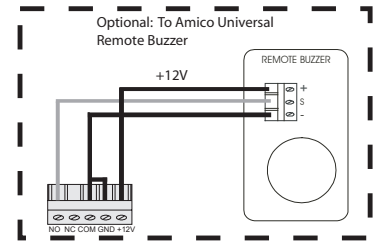
## M2-REM-AL-WALL



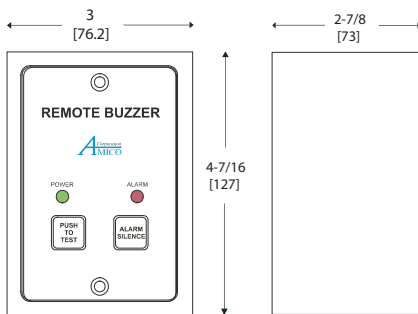
### wiring schematic



### annunciator wiring schematic

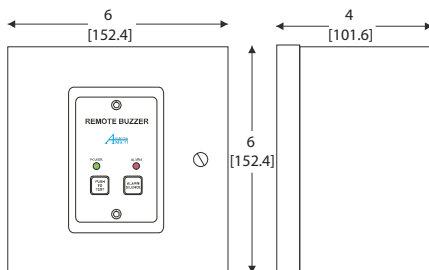


## M2-REM-AL-SURF

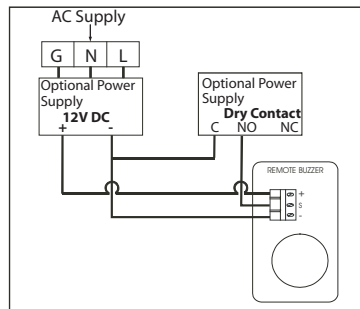


## Optional Power Supply: A2P-Power-CONV

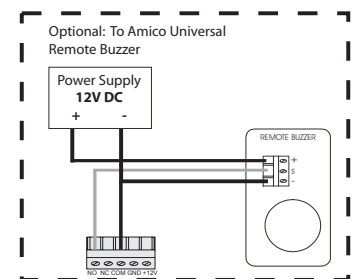
## M2-REM-AL-NEMA



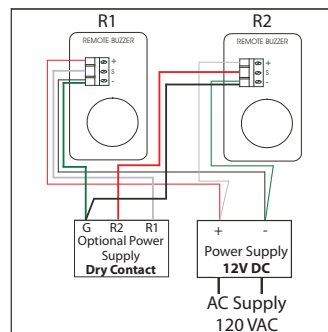
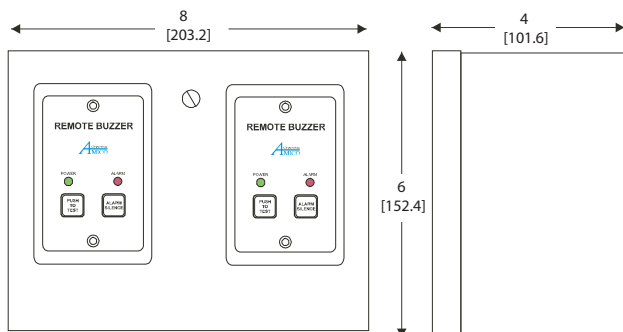
### wiring schematic



### annunciator wiring schematic



## M2-REM-AL-N2



**NOTE:** The Manifold can be connected from Normally Open to R1 or R2, but all appropriate connections (Common) should be made to Ground.

represented by:

Oxygen Systems Plus, Inc.  
1-800-480-7664