



Locked in Open Position

(Padlock not shown)



Locked in Closed Position

(Padlock not shown)

NOTE: Padlock NOT supplied.
A 9/32" O.D. padlock is recommended for device to operate correctly.

specifications

Locking devices can be ordered as separate items or as complete assemblies on ball-valves:

1/2" to 2-1/2" valves must be disassembled to install locking device.

model numbers for locking device

- 1/2" = **V-X-VLV-LOK050**
- 3/4" = **V-X-VLV-LOK075**
- 1" = **V-X-VLV-LOK10**
- 1-1/4" = **V-X-VLV-LOK125**
- 1-1/2" = **V-X-VLV-LOK150**
- 2" = **V-X-LOCK-N-20**
- 2-1/2" = **V-X-LOCK-N-25**

Isolation Valve with Locking device:

V-X-VLV-LOKXXX

Size:

- 1/2" = 050
- 3/4" = 075
- 1" = 10
- 1-1/4" = 125
- 1-1/2" = 150

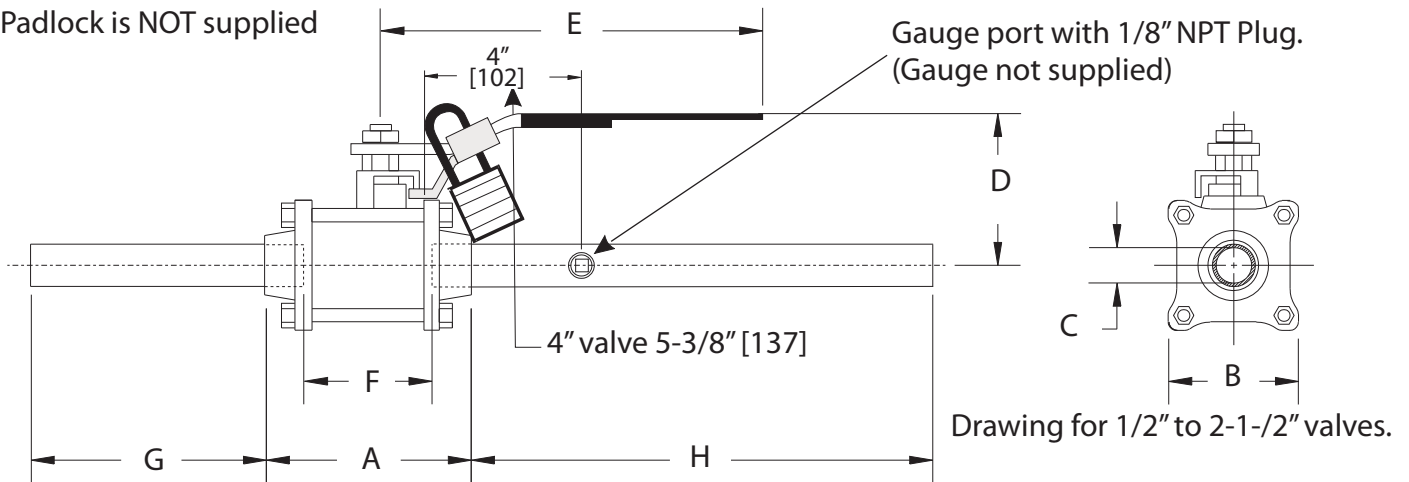
"LOK" indicates, with locking device

project

Amico products comply with:
ASTM B-88, ASTM B-16-92, ASME B-31.1
CGA G-4.1-96, CSA Z305.1, NFPA-99

NOTE:

Padlock is NOT supplied



model numbers

Model #	Size	A	B	C	D	E	F	G	H	Bolts
V-X-VLV-LOK050	1/2 (13)	2-1/16 (52)	1-13/16 (46)	1/2 (13)	2-1/32 (52)	3-29/32 (99)	1-1/16 (27)	7-1/4 (184)	11-3/4 (299)	4
V-X-VLV-LOK075	3/4 (19)	2-15/16 (75)	1-15/16 (49)	3/4 (19)	2-9/32 (58)	4-21/32 (118)	1-7/16 (37)	6-3/4 (172)	11-1/2 (292)	4
V-X-VLV-LOK10	1 (25)	3-21/32 (93)	2-1/2 (64)	1 (25)	2-1/2 (64)	4-21/32 (118)	1-27/32 (47)	6 (152)	11-1/4 (286)	4
V-X-VLV-LOK125	1-1/4 (32)	3-29/32 (99)	2-11/16 (68)	1-1/4 (32)	3-1/8 (79)	6-11/16 (170)	1-31/32 (50)	5-5/8 (143)	11-1/4 (286)	4
V-X-VLV-LOK150	1-1/2 (38)	4-15/32 (117)	3 (76)	1-1/2 (38)	3-11/32 (85)	6-11/16 (170)	2-13/32 (61)	5-1/4 (133)	11-1/8 (283)	4
V-X-LOCK-N-20	2 (51)	5-25/32 (147)	4 (102)	2 (51)	3-11/16 (94)	6-11/16 (170)	3-3/32 (79)	5 (127)	9-1/8 (232)	4
V-X-LOCK-N-25	2-1/2 (64)	6-15/16 (176)	5 (127)	2-1/2 (64)	4-11/16 (119)	8 (203)	4 (102)	12 (305)	12 (305)	4

Oxygen Systems Plus, Inc.
1-800-480-7664

represented by: