

specifications

The Manual Retractable ceiling column shall be an Amico Alert-1 series.

The Manual Retractable ceiling column shall consist of an upper section for rigid mounting at the ceiling level and a telescopic lower section capable of being extended to a maximum of 18" [457 mm].

The retractable section of the column is activated by a coiled spring mechanism and can be lowered or raised to any position by rotation of the handle. With the aid of an internal tracking system, the movement of the telescopic portion will glide freely up or down.

The upper and lower section shrouds are made of 16 gauge 304 stainless steel with a #4 satin finish and are complete with:

- Removable access panel
- Stainless steel ceiling collar
- A heavy gauge steel mounting plate, equipped with console gas outlets for all medical gas connections above the ceiling line.

All devices are factory installed on either sides or on the bottom of the column housing by means of flexible hoses and flexible metal conduit. All threaded connections comply with NFPA, CGA and DISS recommendations preventing interchanging of connections.

All services are pre-assembled and factory tested. Standard dimensions are 13-9/16" X 13-9/16" [345 X 345 mm] for the upper section and 12" X 12" [305 X 305 mm] for the lower section. Electrical devices are pre-wired, unless otherwise stated.

NOTE: Ceiling height is to be determined by the customer.

The Retractable Column accommodates:

- Up to 12 gas service outlets (10 bottom, 2 side mounted) in any desired sequence.
- Electrical outlets can be added on either of the four sides of the column.

NOTE: Carbon Dioxide outlets are only available in DISS, Ohmeda and Chemetron. Nitrogen outlets are only available in DISS.

- Any combination of ground jacks, computer outlets, communication devices, slides and I.V. hooks can also be mounted on the side panels.

The Ceiling Column is UL Listed to U.S. and Canadian safety standards.

Amico products comply with NFPA-99.

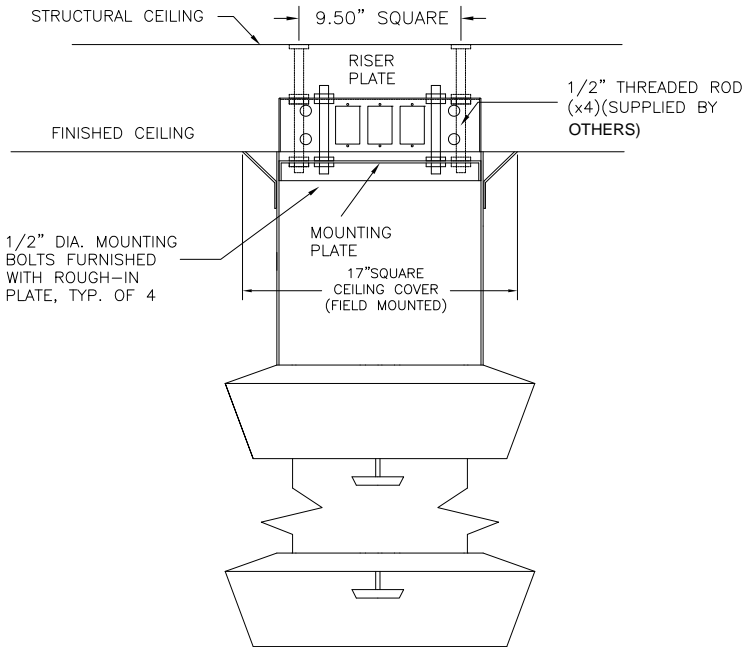


features

- The column is offered with the optional choice of a single Nitrogen Control Panel or a single panel with manifold or a dual Nitrogen Control Panel.
- The Manual Retractable ceiling column provides a modern efficient method of supplying gas and electrical services in surgery or special care areas.
- For use in anesthetizing locations, the gas outlets are bottom mounted. Units for specialized care areas have side mounted outlets to facilitate the use of secondary equipment
- When not in use, the telescopic lower section can easily be raised by rotating the handle. This can avoid possible accidental contact with medical personnel.
- When required, the face of the column can be lowered to facilitate hook-up of services.

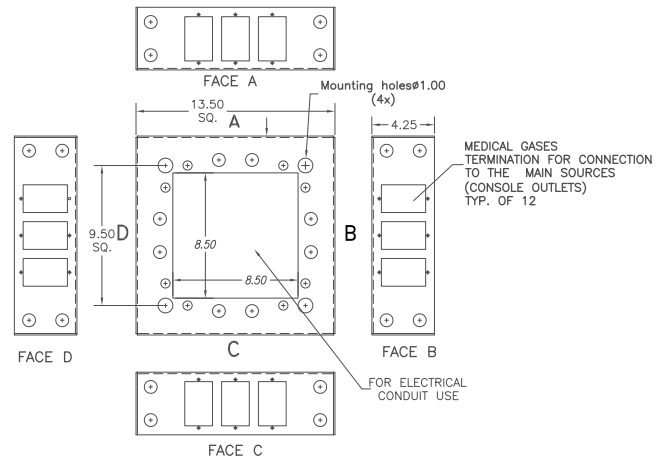
project

installation



NOTES:

1. 1/2" Support rods located for total support of fixture (minimum 400 lb/182 kg load), all labour and materials for support fabrication including nuts and washers for installation supplied by others.
 2. Installer has final responsibility for the strength and stability of the mounting structure.
 3. Riser plate to be mounted flush with finished ceiling.
 4. Mounting structure supplied by others.
- Mounting Plate - Top View**



model numbers

C-COL-MAN-CH-RR

Column Height:		Retraction:	
30 inches [762mm]	= 30	10 inches [254mm]	= 10
30 inches [762mm]	= 30	16 inches [406mm]	= 16
36 inches [914mm]	= 36	18 inches [406mm]	= 18
42 inches [1067mm]	= 42	18 inches [457mm]	= 18

NOTE: The maximum retraction for a 30" column is 16"

customer order information

Ceiling columns are custom manufactured to customer specifications. Amico requires a signed, approved copy of all specifications before fabrication can begin. For further information please ask for our Approval Booklet (C-MANU-ENG).

Optional Gas Control Panels (to be ordered separately)	
Single Nitrogen Control Panel	C-CONP-S-NIT
Single Gas Control Panel - Medical Air	C-CONP-S-AIR

Oxygen Systems Plus, Inc.
1-800-480-7664

represented by: