

specifications

The console unit shall be an Amico Alert-1 series.

The console unit has a removable front assembly for ease of mounting to the back box.

The console is supported by a galvanized steel bracket which shall be attached to the structural wall by means of four screws (not supplied by Amico).

The fascia front assembly is made from extruded, clear anodized aluminium with moulded plastic end caps, for a clean appearance. The back box is made from galvanized steel, 0.060" thick.

The medical gas piping terminates as blank capped ends 5" (127 mm) above the console back box.

All specified devices are factory installed in the console backbox. The electrical devices are separated, but they are not pre-wired.

NOTE: Exact dimensions are to be determined by the customer.

NOTE: A blank provision should be placed between Medical Gas Outlets and Vacuum Bottle Slide Holders and between 2 communication devices.

The Console is UL Listed to U.S. and Canadian safety standards.

Amico products comply with NFPA-99.



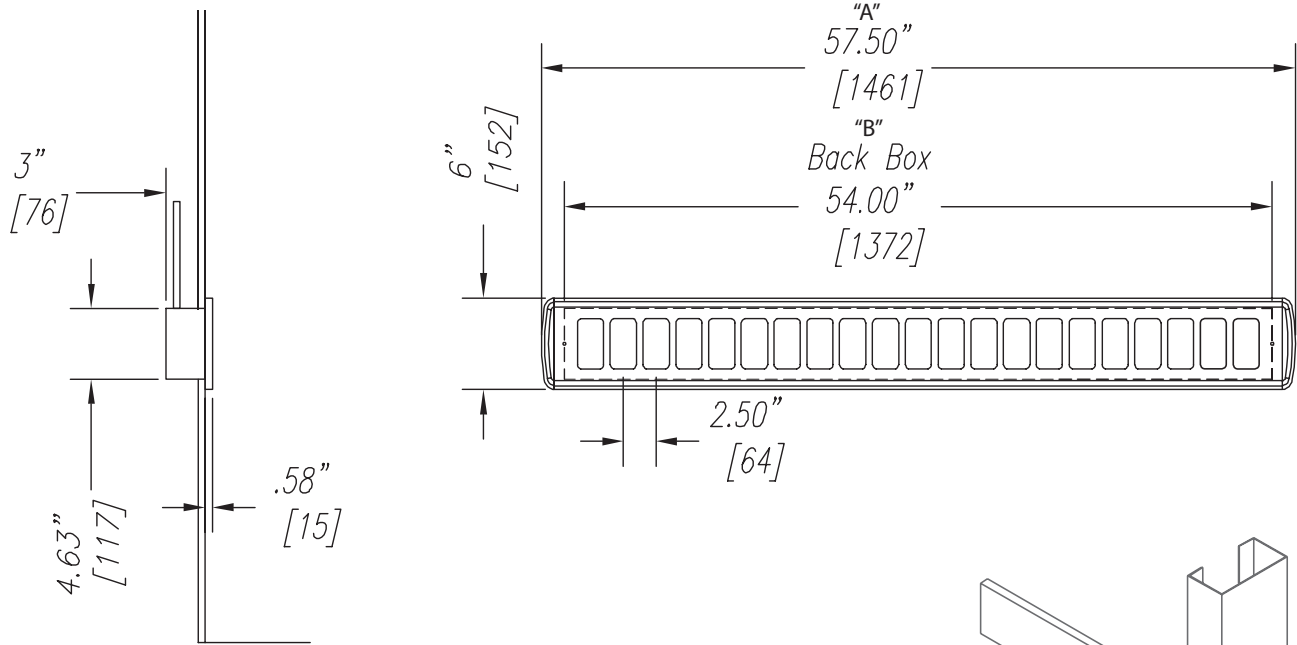
features

- ▶ Removable front fascia for ease of maintenance and installation
- ▶ Single cutout dimension for all accessories (outlets & electrical devices) are on a 2.5" (63.5 mm) centre
- ▶ Fascia is anodized aluminium with moulded plastic end caps for a clean, aesthetic appearance

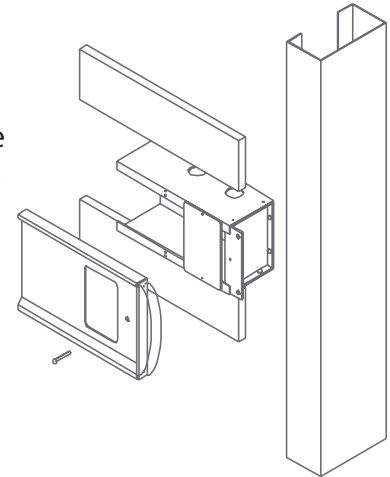
project

dimensions

inch
[mm]



Flush mount the console back box to the drywall. The fascia shall sit on the drywall.



NOTE:

The backbox has 1/2" & 3/4" knockouts incorporated on all 3 sides of the enclosure. Dividers can be provided (if specified), if required between gas and electrical services.

# of gangs	3	5	7	9	11	13	15	17	19	21	23
DIM-"A" length of front	12.5" (318 mm)	17.5" (445 mm)	22.5" (572 mm)	27.5" (699 mm)	32.5" (826 mm)	37.5" (953 mm)	42.5" (1080 mm)	47.5" (1207 mm)	52.5" (1334 mm)	57.5" (1461 mm)	62.5" (1588 mm)
length "B" of back box	9" (229 mm)	14" (356 mm)	19" (483 mm)	24" (610 mm)	29" (737 mm)	34" (864 mm)	39" (991 mm)	44" (1118 mm)	49" (1245 mm)	54" (1372 mm)	59" (1499 mm)

represented by:

Oxygen Systems Plus, Inc.
1-800-480-7664